

# FERTILIZER SPREADER

*metal hopper*



*owner's manual  
spare parts list*

## WARRANTY AND DISCLAIMER

Leinbach Machinery Company (hereafter the "Company") and sellers of its products warrant products and parts of products it manufactures to be free from defects in material and workmanship for a period of (90) days from date of purchase when such products and parts of products are maintained and used in a customary and ordinary manner. No warranty is made by the Company either expressed or implied on products manufactured by others.

All used goods are sold "AS IS" and are sold with no warranties, either expressed or implied.

### **THIS WARRANTY IS THE SOLE WARRANTY AND IS IN LIEU OF ALL OTHER WARRANTIES, EXPRESSED OR IMPLIED, INCLUDING ANY IMPLIED WARRANTY OF MERCHANTABILITY OR WARRANTY OF FITNESS FOR A PARTICULAR PURPOSE.**

The exclusive remedy for breach of this Warranty is repair or replacement of parts upon delivery, postage and freight prepaid to the Company at 9125 N.C. Hwy 67 East Bend N.C. 27018 U.S.A. or refund of purchase price if repair or replacement cannot be practically provided.

In no event shall the Company or the Sellers be liable for consequential or incidental damages, direct or indirect (including but not limited to loss of crops or livestock), due to defects in workmanship or defects in products manufactured by the Company.

This is the only warranty of the Company. No Seller or any other person has authority to alter or waive any provision of this Warranty as it applies to the Company or to make or add warranties on behalf of the Company. The Company expressly disclaims all liability due to the use or resale of its products or parts of products manufactured by it whether based on contract, negligence, strict liability in tort or otherwise except as expressly provided for in this Warranty as set forth above.



## **WARNING !!!**



### **SAFETY FIRST. MACHINERY CAN HURT YOU**

#### WARNINGS

**DO NOT PERMIT RIDERS ON MACHINERY  
MACHINERY, IN A LIFT POSITION, CAN FALL WHILE OPERATING OR WHEN SITTING STILL  
DICS HARROW BLADES AND MOWER BLADES CAN CUT YOU  
STAY AWAY FROM OPERATING MACHINERY -KEEP OTHERS AWAY**

- \*Observe and follow instructions obtained on decals attached to farm machinery. The wide variety of warning, caution, and instructional decals are placed on machinery for YOUR safety. Always keep hands, feet and clothing away from all moving parts.
- \*Make certain that everyone is clear of the machine before starting power unit or activating any drive mechanism.
- \*Keep hands, feet and clothing away from moving parts of the machine. Do NOT wear loose clothing.
- \*Keep children off, and away from all machinery.
- \*Be sure that all shields or guards are in place before any machine is started.
- \*Replace any damaged or misplaced guards or shields.
- \*Keep all machinery free of excessive accumulation of crop material or other debris.
- \*Stay alert and away from obstructions, ditches and other hazards when operating machinery.
- \*Operate machinery at a speed to match the field and crop condition and/or operator proficiency.
- \*Shut off the tractor engine or power unit before attempting to refuel. DO NOT SMOKE! Refuel in a well-ventilated area and avoid spilling fuel.
- \*Always shut off the engine before leaving the operator's platform to adjust, lubricate, clean or unclog a machine, unless otherwise specified in the operator's manual.
- \*Wait until all power driven parts have stopped before attempting to perform any inspection or servicing of the machine.
- \*Provide a temporary guard for knives when working with them.
- \*After servicing equipment, be sure all tools, parts or servicing equipment are moved before starting the machine.
- \*Before restarting operation, replace or secure all safety shields that you have removed or opened for access when making field repairs.
- \*Have a fire extinguisher available and in good operating condition. Also take a current first aid kit.

---

## **WORK SAFELY - FOLLOW THESE RULES**

### **A CAREFUL OPERATOR IS THE BEST INSURANCE AGAINST ACCIDENTS.**

#### **CAUTION Read manual before operating.**

##### **Operational safety**

- Know your controls and how to stop tractor and engine quickly in an emergency. READ THIS MANUAL AND THE ONE PROVIDED WITH YOUR TRACTOR.
  - To avoid accidents or injury, do not allow anyone to operate this equipment without proper instructions. Any person who operates this equipment must be instructed in an be capable of the safe operation of the unit, its attachments and all controls.
  - Always wear relatively tight and belted clothing to avoid entanglement in moving parts. Wear sturdy, rough soled work shoes. Never operate tractor or implements in bare feet, sandals or sneakers.
  - Never permit any person other than the operator to ride or board the tractor at any time.
  - Do not allow rides on spreader at any time.
  - Operate only in daylight or in good artificial light.
  - Ensure spreader is properly mounted, adjusted and in good operating condition.
  - Disengage power take off and shift tractor into neutral before attempting to start engine.
  - Never allow anyone in front of tractor or behind spreader while operating. Always look behind spreader before operating tractor in reverse.
  - Do not stop or start suddenly when going up or down hill. Avoid operation on steep slopes.
  - Disengage power to spreader and stop engine before dismounting from tractor.
  - Never transport spreader with PTO engaged.
  - Never place hands or feet under spreader while tractor engine is running. Stay clear of all moving parts.
  - Take all possible precautions when leaving tractor unattended: disengage PTO, shift into neutral, set parking brake, stop engine and remove key from ignition.
  - Never work without safety blocks.
  - Remove spreader from tractor and clean it accurately.
-

---

## SAFETY

Included here is a list of Safety Messages which should be followed. Serious injury or death may occur unless care is taken to follow these Safety Messages and use good common sense in avoiding hazards.

- DANGER!** Driveline Shields and Gearbox Shields should be used and maintained in good working condition. They should be inspected carefully, at least daily.
- WARNING!** Before leaving the tractor seat, always engage the brake and or set the tractor transmission in parking gear. Disengage the PTO, stop the engine, remove the key, and wait for all moving parts to stop. Place the tractor shift lever into a low range or parking gear to prevent the tractor from rolling. Never mount or dismount a moving tractor. Operate the tractor controls from the tractor seat only.
- WARNING!** The rotating parts of this machine continue to rotate even after the PTO has been turned off. The operator should remain in his seat for 60 seconds after the brake has been set, the PTO disengaged, the tractor turned off, and all evidence of rotation has ceased. "Wait a minute... Save a life!".
- WARNING!** Remove hydraulic pressure, disengage the PTO and turn off the engine prior to doing any maintenance.
- WARNING!** Inspect the entire machine periodically. Look for loose fasteners, worn or broken parts. Make sure all pins have cotter pins and washers. Serious injury may occur from not maintaining this machine in good working order.
- DANGER!** Do not mount or dismount the spreader while the tractor is moving. Mount and dismount the tractor only when it is completely stopped.
- CAUTION!** It may be necessary to shorten PTO shaft before operation to prevent damage to gear-box, shaft or operator.
- DANGER!** Do not turn sharp enough to get severe "knocking" of the driveline which will cause accelerated wear and breakage of drive train components and possible injury from the separated driveline sections.
- DANGER!** Never allow riders on either tractor or spreader. Falling off can kill.
- DANGER!** Never allow children to operate or ride on the tractor or spreader.
- DANGER!** Never work under the spreader unless it is securely supported or blocked up. A sudden or inadvertent fall by any of these components could cause serious injury or even death.
- WARNING!** Never operate the tractor and spreader until you have read and completely understand this manual, the Tractor Operator's Manual, and each of the Safety Messages found on the decals on the tractor and spreader.
- WARNING!** Always maintain the safety decals in good readable condition. If the decals become damaged or unreadable, order replacement decals immediately.
-

**CAUTION!**

**PROLONGED EXPOSURE TO LOUD NOISE MAY CAUSE PERMANENT HEARING LOSS!** Tractors with or without spreaders attached can often be noisy enough to cause permanent, partial hearing loss. We recommend that you wear hearing protection on a fulltime basis if the noise in the Operator's position exceeds 80 db. Noise over 85db on a long-term basis can cause severe hearing loss. Noise over 90 db adjacent to the Operator over a long-term basis may cause permanent, total hearing loss. Note: Hearing loss from loud noise (from tractors, chain saws, radios and other such sources close to the ear) is cumulative over a lifetime without hope of natural recovery.

In addition to the design and configuration of this implement, including Safety Signs and Safety Equipment, hazard control and accident prevention are dependent upon the awareness, concern, prudence, and proper training of personnel involved in the operation, transport, maintenance, and storage of the machine. Refer also to Safety Messages and operation instruction in each of the appropriate sections of the Tractor and Spreader Manuals. Pay close attention to the Safety Signs affixed to the Tractor and the Spreader.

**! DANGER**



**ROTATING DRIVE LINE  
KEEP AWAY**

DO NOT OPERATE UNLESS PTO GUARDS, TRACTOR MASTER SHIELD AND IMPLEMENT GUARDS ARE IN PLACE.

PTO GUARDS MUST TURN FREELY AND BE PROPERLY ATTACHED AND MAINTAINED.

U-JOINT YOKES MUST BE SECURELY LOCKED ONTO TRACTOR AND IMPLEMENT SHAFTS.

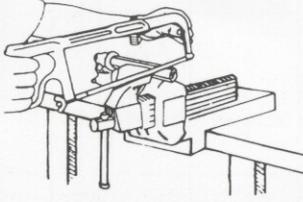
BE SURE TRACTOR DRAWBAR AND IMPLEMENT HITCH ARE ADJUSTED CORRECTLY.

GREASE SHAFT REGULARLY.

**FAILURE TO HEED THESE WARNINGS MAY RESULT IN PERSONAL INJURY OR DEATH.**

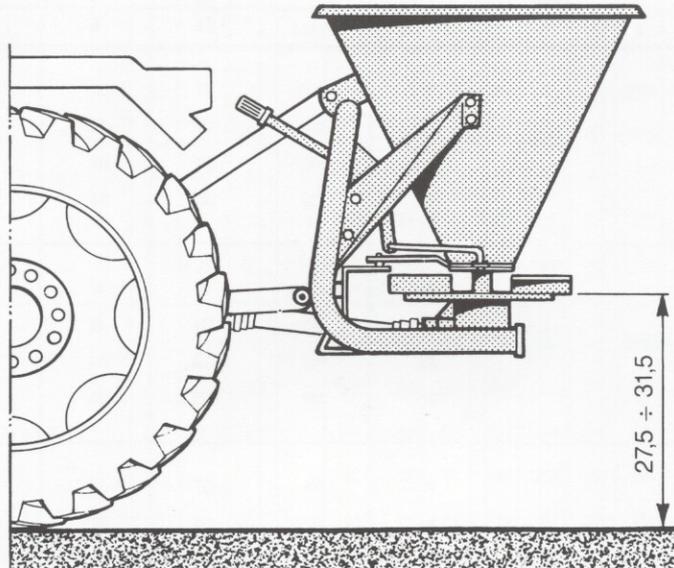
**CAUTION**

**IT MAY BE NECESSARY  
TO SHORTEN  
PTO SHAFT BEFORE OPERATION  
TO PREVENT DAMAGE  
TO GEARBOX,  
SHAFT OR OPERATOR.**

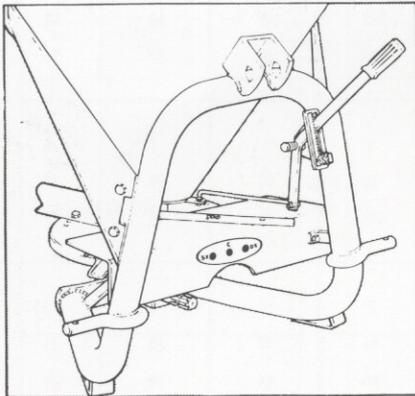


FERTILIZER TYPE	RPM	SPREA- DING WIDTH (FT)	MPH.	QUANTITY TO BE SPREAD IN LB/ACRE AT SPEED LISTED IN MPH COLUMNS												
				FEED OPENING												
				1.5	2	2.5	3	3.5	4	4.5	5	5.5	6	6.5	7	
COARSE GRAIN FERTILIZERS	540	72'	1	198	330	608	1002	1280	1580	1916	2313	2543	2860	3132	3524	
			2.5	93	137	244	409	510	634	781	924	1016	1148	1276	1433	
			5	51	69	128	202	257	317	388	466	516	594	653	735	
			7.5	34	53	84	137	173	216	257	319	339	396	427	486	
			10	20	34	63	105	132	169	198	238	255	295	325	370	
MEDIUM GRAIN FERTILIZERS	540	59'	1		460	788	1126	1439	1784	1987	2309	2546	2788	2950	3244	
			2.5		173	326	462	590	730	816	935	1027	1127	1188	1316	
			5		104	169	233	299	371	412	473	519	574	602	663	
			7.5		72	112	161	196	250	282	321	350	395	409	451	
			10		53	81	114	153	187	204	243	264	291	308	336	
FINE GRAIN FERTILIZERS	540	39'	1	174	285	484	815	1052	1326	1554	1870	2105	2414	2622	2919	
			2.5	84	121	202	336	435	545	610	762	854	987	1071	1172	
			5	46	60	106	176	222	277	320	392	436	494	535	596	
			7.5	29	40	92	120	151	191	218	260	294	336	365	400	
			10	17	30	52	86	113	136	166	198	231	253	279	295	
MEDIUM CRISTALLINE FERTILIZERS	540	26.3'	1	330	546	1007	1632	2019	2587	3024	3603	4033	4476	4908	5407	
			2.5	115	219	412	661	816	1053	1221	1446	1621	1801	1973	2174	
			5	68	112	209	329	416	534	614	730	821	907	989	1092	
			7.5	44	76	160	223	280	364	415	490	546	606	664	728	
			10	30	54	100	171	208	275	318	363	408	455	496	549	
CALC. CYANAMIDE AND S.	540	32.8'	1	275	750	1104	1636	2020	1844	2868	3345	4289				
			2.5	109	300	453	662	809	994	1158	1343	1508				
			5	58	149	229	297	407	495	584	672	753				
			7.5	37	99	148	218	272	333	388	449	502				
			10	26	73	112	166	204	251	285	336	376				

SEEDS	PTO SPEED (RPM)	SPREADING WIDTH IN FEET	FEED OPENING	SPREADING CHART IN LB/ACRE AT SPEED LISTED IN MPH COLUMNS				
				FORWARD SPEED IN MILES PER HOUR				
				1	2.5	5	7.5	10
WHEAT	540	52	2	269	107	54	35	25.5
			2.5	436	173	86	57	42
			3	596	238	119	78	59
			3.5	730	312	156	104	77
OATS	540	26	1.5	207	81	40	26	19
			2	342	136	68	45	33
			2.5	510	203	101	68	49
			3	684	273	136	91	68
RYE	540	52	2	348	137	71	45	34
			2.5	541	213	107	72	55
			3	741	296	147	98	76
			3.5	902	361	180	120	90
BARLEY	540	39	2.5	356	142	70	46	35
			3	433	173	85	56	43
			3.5	598	240	119	80	58
			4	737	294	146	97	72
RYE GRASS	540	16	1.5	49	19	10.5	7	5
			2	140	56	29	19	14
			2.5	295	118	60	40	30
RAPE SEED	540	21	1.5	38	16	8	6	3.5
			2	211	84	41	28	21
			2.5	421	169	84	56	41
RED CLOVER	540	21	1.5	56	22	10.5	7	6
			2	194	77	39	25.5	20
			2.5	474	191	95	64	48

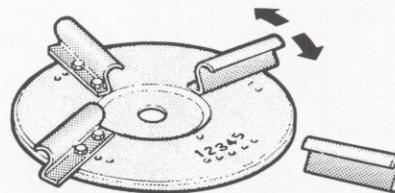


Before operating the spreader, make sure that the spreading disc is set to the horizontal position and at about 27,5÷31,5 in from ground level.



#### Three spreading possibilities

A simple adjustment of the lower level allows directioning of distribution towards the right side or towards the left side of the tractor operator.

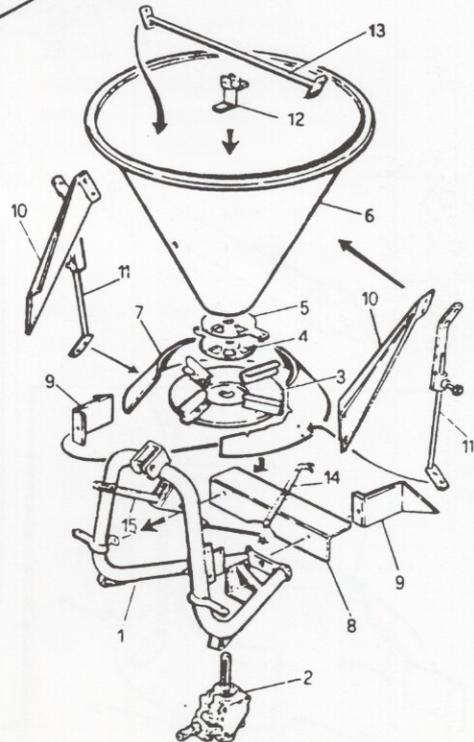
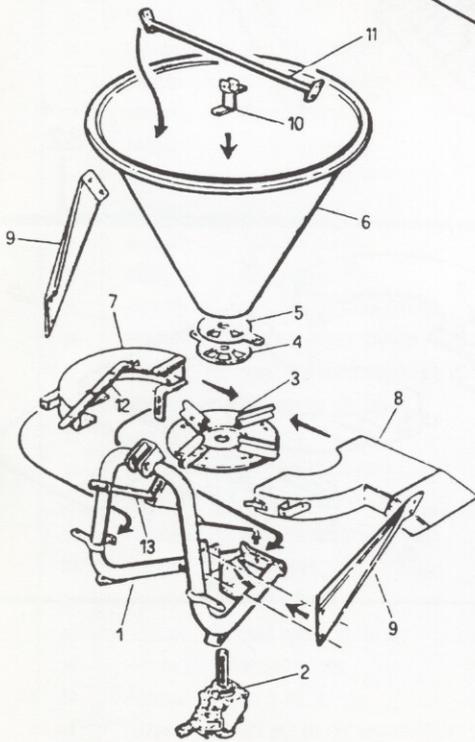
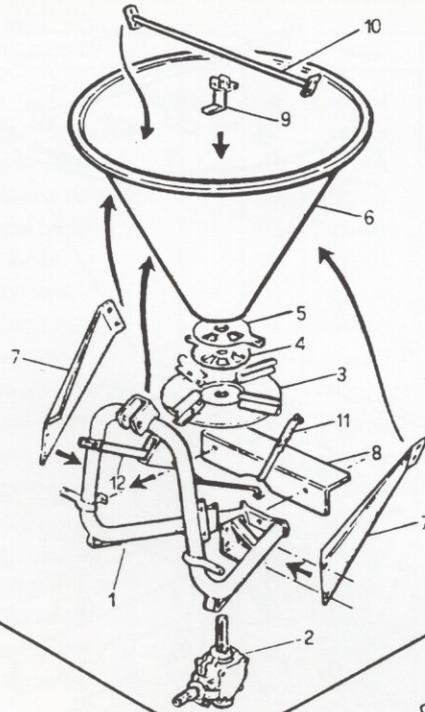


#### Spreading disc with revolving vanes

As the fertilizers have relatively different absolute weights, in order to obtain a perfect spreading it is necessary to adjust the vanes in order to compensate for the differences.

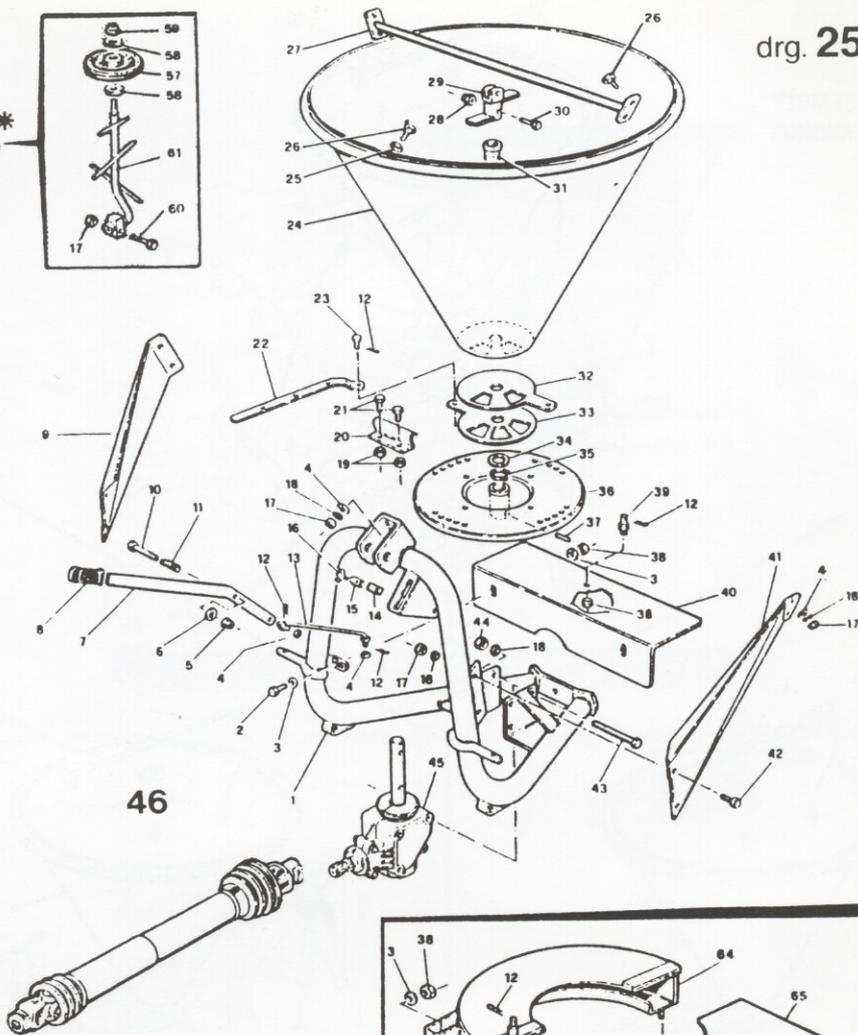
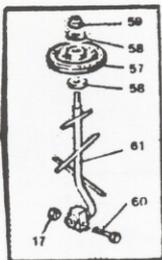
The vanes are usually set to position n° 3; by moving the vanes to position n° 1, distribution is increased towards the left side of the tractor operator, whereas moving them to position n° 5 causes distribution to be increased towards the right.

ASSEMBLY  
DRAWINGS

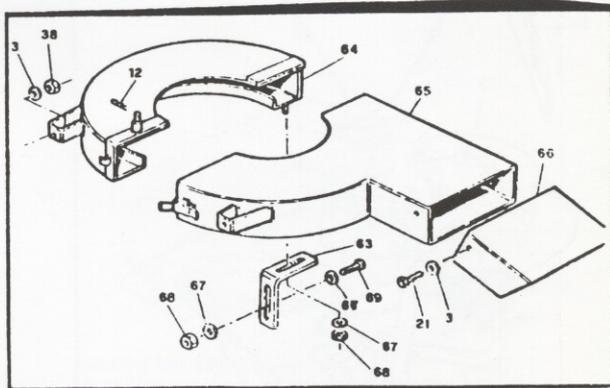


drg. 25·03

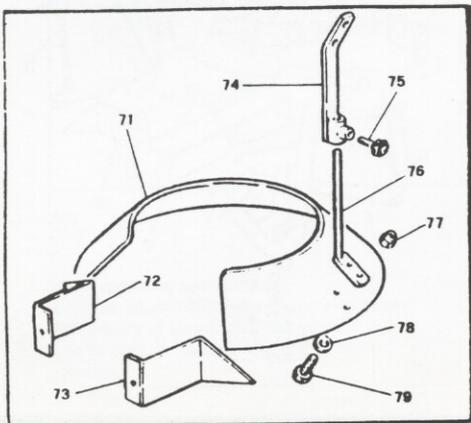
56\*



62\*



70\*



\* on request

REF.	CODE	DESCRIPTION	N.	REF.	CODE	DESCRIPTION	N.
1	XA251100	FRAME	1	39	XA251014	ADJUSTMENT PIN	1
2	52390820	CAP SCREW M8*20 DIN 933	2	40	XA251001	GUARD	1
3	659208ZN	PLAIN WASHER M8 DIN 125/A	6	41	XA251009	SIDE SUPPORT LH	1
4	659210ZN	PLAIN WASHER 10 DIN 125/A	7	42	52391025	BOLT M10*25 DIN 933	4
5	747310ZN	LOCKNUT M10 DIN 982	1	43	50371010	BOLT M10*100 DIN 931	3
6	PA251027	BAKELITE WASHER	1	44	558810ZN	HEX NUT M10 DIN 934	3
7	XA251010	ADJUSTMENT LEVER	1	45	+XA251016	GEAR-BOX 3 HOLES	1
8	IMG00820	RUBBER HANDLE 8*20	1	46	C3170000	DRIVE-SHAFT L. 700	1
9	XA251008	SIDE SUPPORT RH	1	56	PA251400	ARTICULATED AGITATOR	1
10	50371065	CAP SCREW M10*65 DIN 931	1	57	PA251312	AGITATOR WHEEL	1
11	PA251026	COMPRESSION-SPRING	1	58	PA251313	WASHER 12	2
12	80100250	COTTER PIN D. 2	4	59	747312ZN	LOCKNUT M12 DIN 982	1
13	PA251017	FLOW ADJUSTMENT BAR	1	60	52371065	BOLT M10*65 DIN 931	1
14	PA251024	FIXING BLOCK	1	61	PA251402	ARTICULATED AGITATOR STEM	1
15	PA251025	INDICATOR	1	62	CON2000	BANDING KIT	1
16	54490616	WING SCREW 6X16 DIN 316	1	63	CON1023	SUPPORT	1
17	558710ZN	HEX NUT M10 UNI 5587	10	64	CON100A	LEFT BANDING	1
18	679810ZN	WASHER M10 DIN 6798	12	65	CON100B	RIGHT BANDING	1
19	558708IN	HEX NUT M10 UNI 5587	8	66	CON1005	BAFFLE	1
20	PA251023X	VANE	4	67	659212ZN	PLAIN WASHER 12 DIN 125/A	3
21	523908161	BOLT M8*16 DIN 933	10	68	558812ZN	HEX NUT M12 DIN 934	2
22	XA251007	SELECTOR ROD RH-LH	1	69	52391235	BOLT M12*35 DIN 933	1
23	PA251014	CONNECTION PIN	1	70	PAR3000	DEFLECTOR FOR SALT/SAND	1
24	XA251021	150 STEEL HOPPER	1	71	PAR3003	DEFLECTOR	1
24	XA251022	250 STEEL HOPPER	1	72	PAR3004	SUPPORT BRACKET RH	1
24	XA251023	300 STEEL HOPPER	1	73	PAR3005	SUPPORT BRACKET LH	1
24	XA251024	500 STEEL HOPPER	1	74	PAR3001	DEFLECTOR SUPPORT	2
24	XA251026	400 STEEL HOPPER	1	75	VB408150	KNOB M8*20	2
25	PV251004	WASHER FOR HOPPER FIXING	1	76	PAR3002	ADJUSTING TUBE	2
26	57321025	CUPHEAD SCREW DIN 603	5	77	559006ZN	HEX NUT C/W WASHER	2
27	XA251011	HOPPER REINFORCEMENT BAR	1	78	659206ZN	PLAIN WASHER M6	2
28	747308ZN	LOCKNUT M8 DIN 982	1	79	52390616	BOLT M6*6 DIN 933	2
29	XA251002	AGITATOR	1				
30	52370845	BOLT M8*45 DIN 931	1				
31	PA251016	AGITATOR BUSH GUIDE	1				
32	PA251018A	QUANTITY ADJUSTMENT DISC	1				
33	PA251019A	ADJUSTMENT DISC - 3 HOLES	1				
34	PA251021	LOCK WASHER	1				
35	74353200	SNAP RING D. 32 DIN 471	1				
36	PA251010X	SPREADING DISC	1				
37	XA251044	PIN D. 8 L. 40	1				
38	558708ZN	HEX NUT M8 UNI 5587	3				