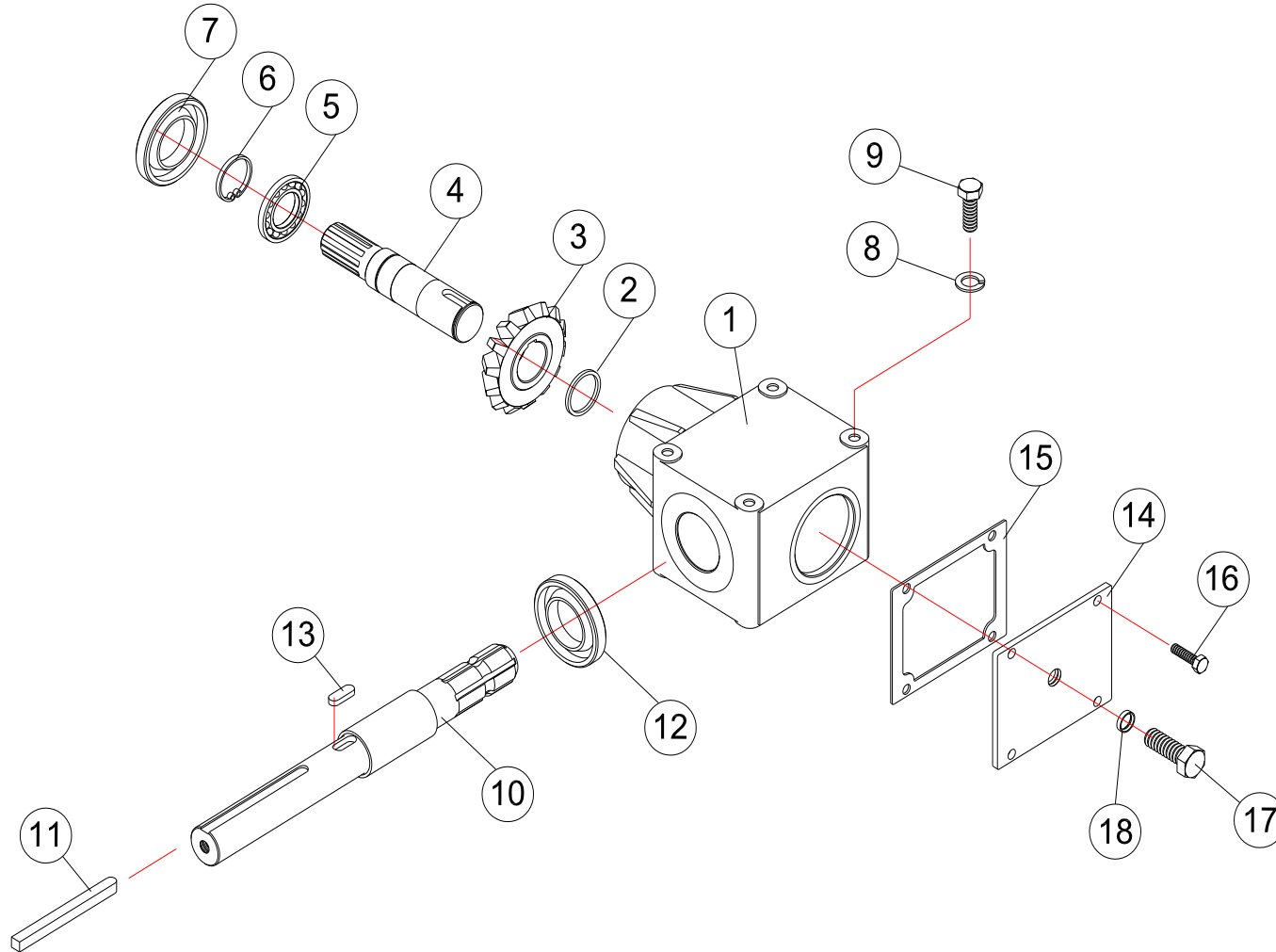




TILLER MODEL SBT064

PART CATALOGUE



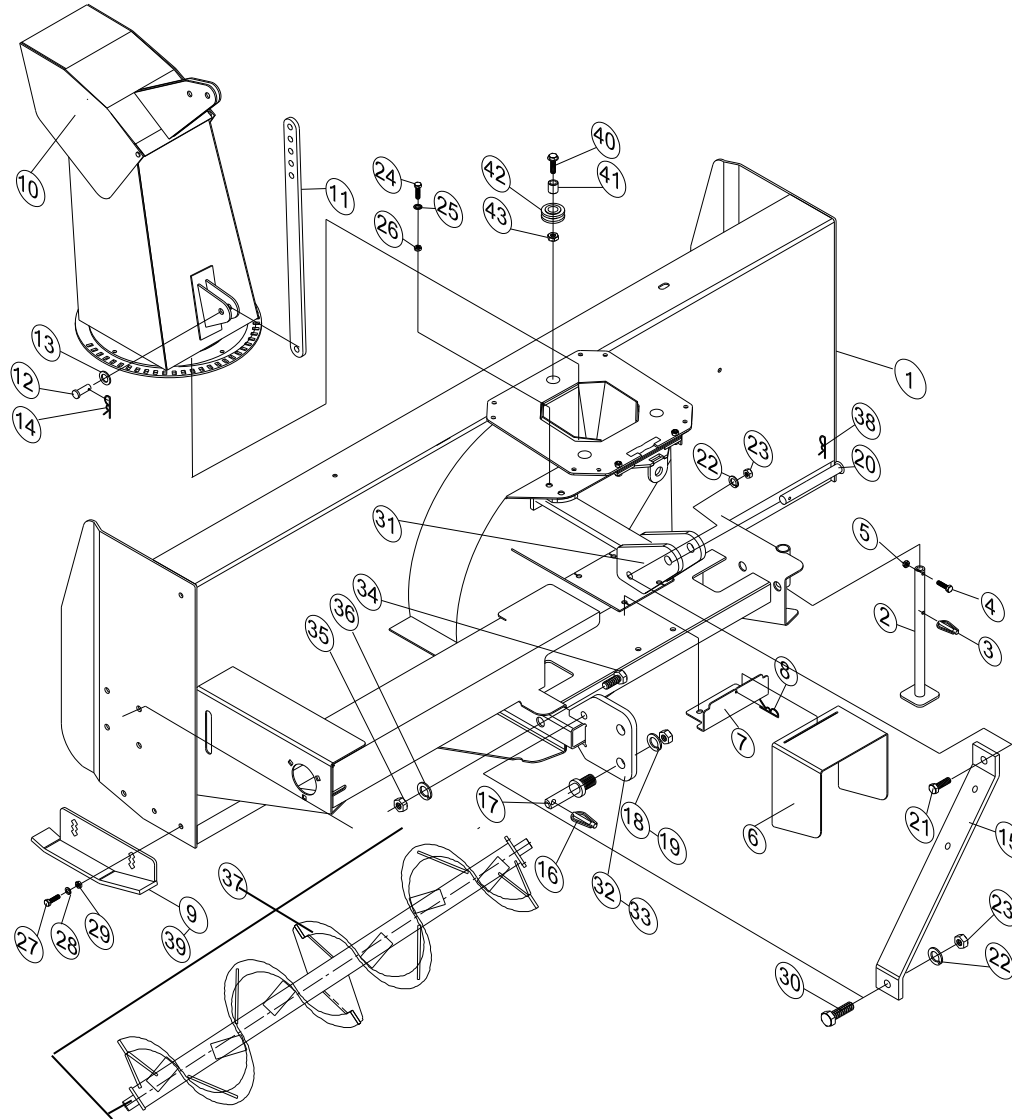
SBT064				MISSION GROUP					
Revision 0				Revision 1					
Ref No	Part No	DESCRIPTION	MODEL		Ref. No.	Part No.	DESCRIPTION	MODEL	
			SBT064						
1	S64-101010	Case, Mission	1						
2	0800-100035	Ring, Snap	2						
3	SBT74-101020	15T Gear, Bevel	2						
4	S64-101030	Shaft, Driver	1						
5	0121-006207	Bearing, Ball	4						
6	0800-200072	Ring, Snap	2						
7	0240-357210	Seal, Oil	2						
8	0931-010000	Washer, Spring	8						
9	0322-010025	Bolt	8						
10	S64-101040	Shaft, input	1						
11	S64-101050	Key	1						
12	0240-355207	Seal, Oil	1						
13	S64-101060	Key, Round	2						
14	S64-101070	Cover, Shaft, input	1						
15	S64-101080	Packing, Cover, Shaft, input	1						
16	0321-008025	Bolt, w/washer	4						
17	YJR145-100500	Bolt	1						
18	0920-020000	Washer, Packing	1						
Serial No	T640001 ~				Serial No				

SBT064

FRAME & CHUTE ASSEMBLE GROUP

Year/Month

2014 / 12



SBT064

FRAME & CHUTE ASSEMBLE GROUP

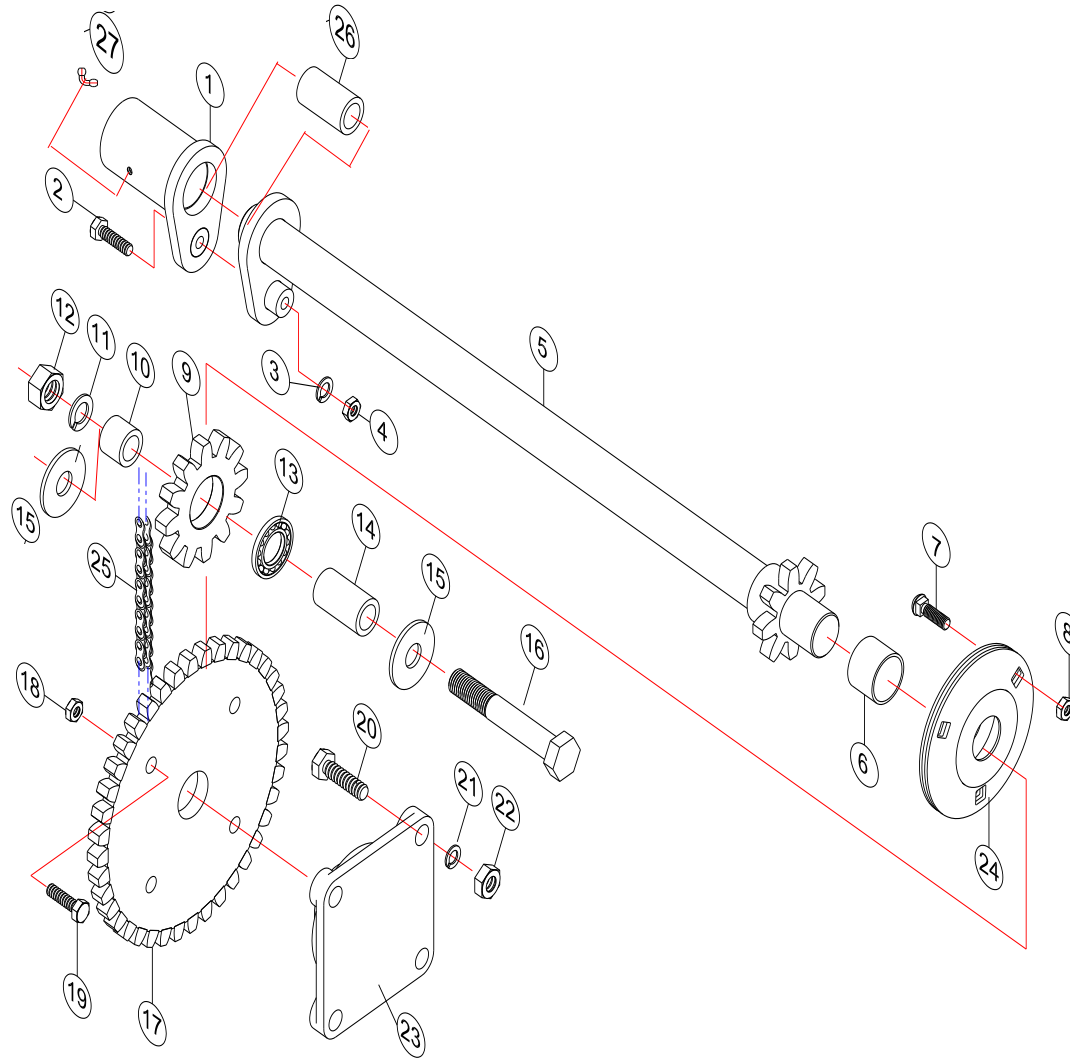
Revision 0				Revision 1					
Ref No	Part No	DESCRIPTION	Model		Ref. No.	Part No.	DESCRIPTION	Model	
			SBT064						
1	S64-200000	Frame Assembly	1						
2	S64-201260	Stand	1						
3	1461-306000	Pin, Ring	1						
4	0310-060030	Bolt	1						
5	0410-06000	Nut, Nylon	1						
6	S64-801010	Cover, Safety	1						
7	S64-801020	Bracket, cover	1						
8	0820-200065	Pin, R-Shape	1						
9	S64-901000	Skid, Lh	1						
10	S64-500000	Chute Assembly	1						
11	S64-501070	Adjust Rod	1						
12	S64-501150	Pin	2						
13	0930-012000	Washer	2						
14	S64-501170	Pin, R-Shape	2						
15	S64-206000	Stay	2						
16	1461-306000	Pin, Ring	2						
17	S64-203040	Pin, Lower Link	2						
18	0931-024000	Washer, Spring	2						
19	0410-024000	Nut	2						
20	YJR145-301040	Pin, Top Link	1						
21	0310-016120	Bolt	1						
22	0931-016000	Washer, Spring	3						
23	0410-016000	Nut	3						
24	0310-012045	Bolt	2						
25	0931-012000	Washer, Spring	2						
26	0410-012000	Nut	2						
27	0328-212026	Bolt, Carriage	4						
28	0931-012000	Washer, Spring	4						
29	0422-012000	Nut	4						
30	0310-016045	Bolt	2						
31	S64-202000	Master	1						
32	S64-204000	Link Arm, Lh	1						
33	S64-203000	Link Arm, Rh	1						
34	0310-020085	Bolt	4						
35	0410-020000	Nut	4						
36	0931-020000	Washer, Spring	4						
37	S64-400000	Auger Ass'y	1						
38	0832-200050	Pin, R-Shape	1						
39	S64-902004	Skid, Rh	1						
40	0320-012040	Bolt, flange	3						
41	S64-503031	Collar, spin	3						
42	S64-503021	Roller, spin	3						
43	0420-012000	Nut, flange	3						
Serial No	T640001 ~				Serial No				

SBT064

DRIVING SHAFT GROUP

Year/Month

2014 / 12



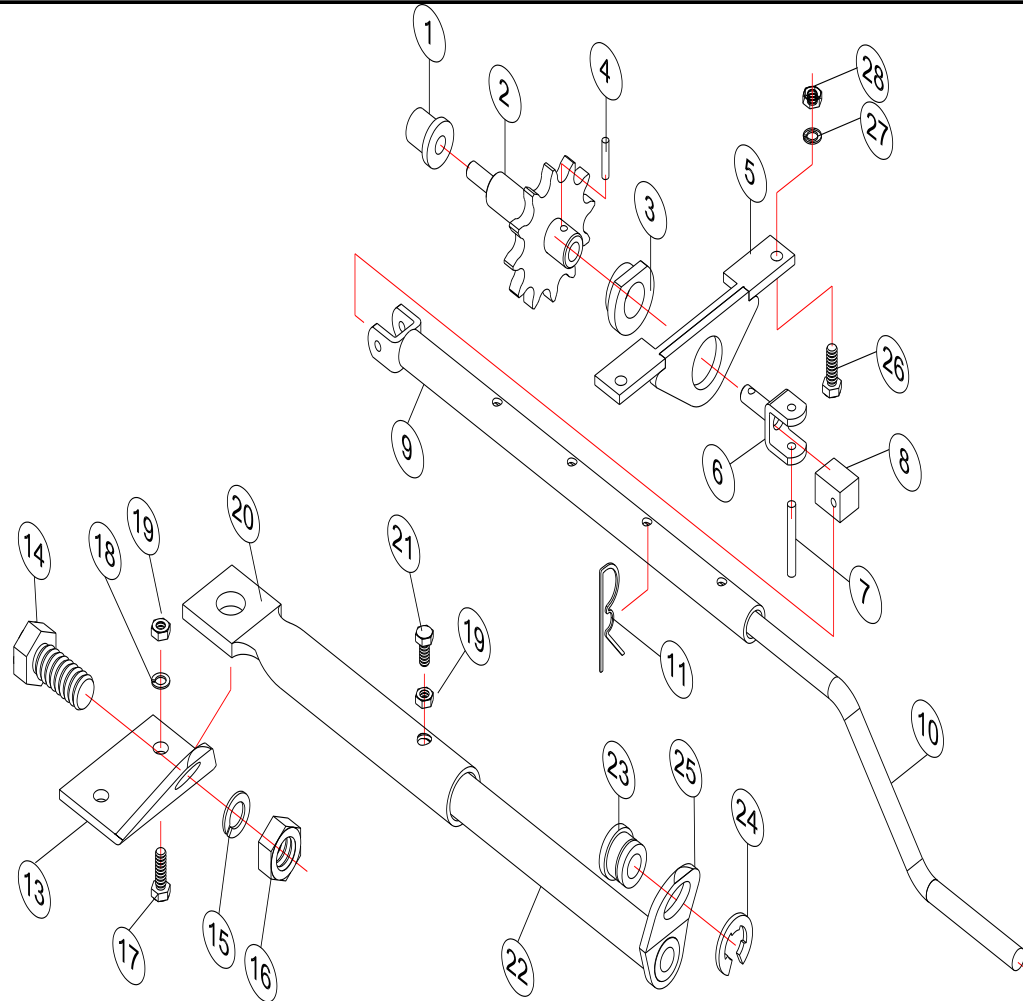
SBT064				DRIVING SHAFT GROUP					
Revision 0				Revision 1					
Ref No	Part No	DESCRIPTION	Model		Ref. No.	Part No.	DESCRIPTION	Model	
			SBT064						
1	S64-301000	Spline	1						
2	0321-008045	Bolt	1						
3	0931-008000	Washer, Spring	1						
4	0421-008000	Nut	1						
5	S64-302000	Shaft, Driver	1						
6	S64-302030	Collar 3	1						
7	0328-210015	Bolt, Carriage	3						
8	0422-010000	Nut, Nylon	3						
9	S64-303030	Sprocket 2	1						
10	S64-303040	Collar 2	1						
11	0931-016000	Washer, Spring	1						
12	0410-016000	Nut	1						
13	0410-006003	Bearing, Ball	1						
14	S64-303020	Collar 1	1						
15	S64-303010	Collar	2						
16	S64-016115	Shaft, Tension	1						
17	S64-303050	Sprocket 1	1						
18	0422-010000	Nut, Nylon	4						
19	0321-010035	Bolt	4						
20	0310-012035	Bolt	8						
21	0931-012000	Washer, Spring	8						
22	0410-012000	Nut	8						
23	UCF207	Bearing unit	2						
24	UBPF206	Bearing unit	1						
25	S64-303060	Chain	1						
26	S64-002020	Bushing	1						
27	0240-060000	Plug, Grease	1						
Serial No	T640001 ~				Serial No				

SBT064

CHUTE ROTATION ADJUST GROUP

Year/Month

2014 / 12



SBT064

CHUTE ROTATION ADJUST GROUP

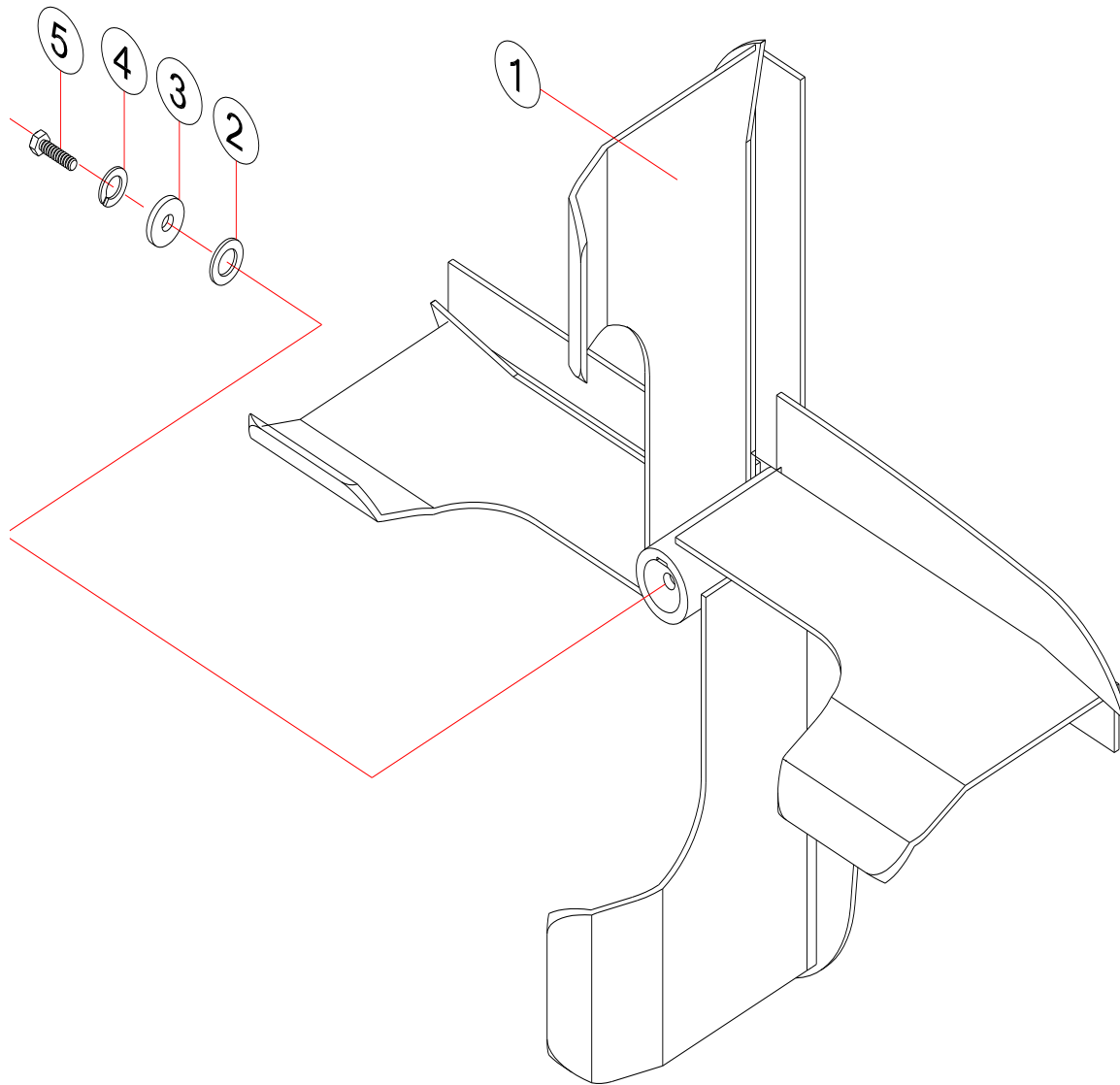
Revision 0				Revision 1					
Ref No	Part No	DESCRIPTION	Model		Ref. No.	Part No.	DESCRIPTION	Model	
			SBT064						
1	S64-601010	Bushing 1	1						
2	S64-601020	Rod, Rotation Sprock	1						
3	S64-601050	Bushing 2	1						
4	0831-105020	Pin, Spring	1						
5	S64-601040	Plate, Hoder, Rotation	1						
6	S64-601080	Bar A, adjust	1						
7	0831-105030	Pin, Spring	2						
8	S64-601090	Block, connection	1						
9	S64-601100	Bar B, adjust	1						
10	S64-601110	Lever	1						
11	0832-200035	Pin, R-Shape	1						
12	P002-122000	Handle	1						
13	S64-601120	Bracket 3	1						
14	0310-020040	Bolt	1						
15	0931-020000	Washer, Spring	1						
16	0410-020000	Nut	1						
17	0322-010030	Bolt	2						
18	0921-010000	Washer, Spring	2						
19	0422-010000	Nut	3						
20	S64-601130	Pipe, Lever Rod	1						
21	0422-010025	Bolt	1						
22	S64-601140	Lever Rod	1						
23	S64-601160	Bushing, Adjust	1						
24	0800-300019	Ring, E-Shape, Snap	1						
25	0321-080030	Bolt	2						
26	0921-080000	Washer, Spring	2						
27	0421-080000	Nut	2						
Serial No	T640001 ~				Serial No				

SBT064

FAN ASSEMBLY GROUP

Year/Month

2014 / 12



SBT064**FAN ASSEMBLY GROUP**

Revision 0

Revision 1

Ref No	Part No	DESCRIPTION	Model		Ref.No.	Part No.	DESCRIPTION	Model	
			SBT064						
1	S64-700000	Fan Assembly	1						
2	S64-701050	Washer	1						
3	0930-010000	Washer	1						
4	0931-010000	Washer, Spring	1						
5	0321-010040	Bolt	1						
Serial No	T640001 ~				Serial No				